

3.2mm Silicon PIN photodiode

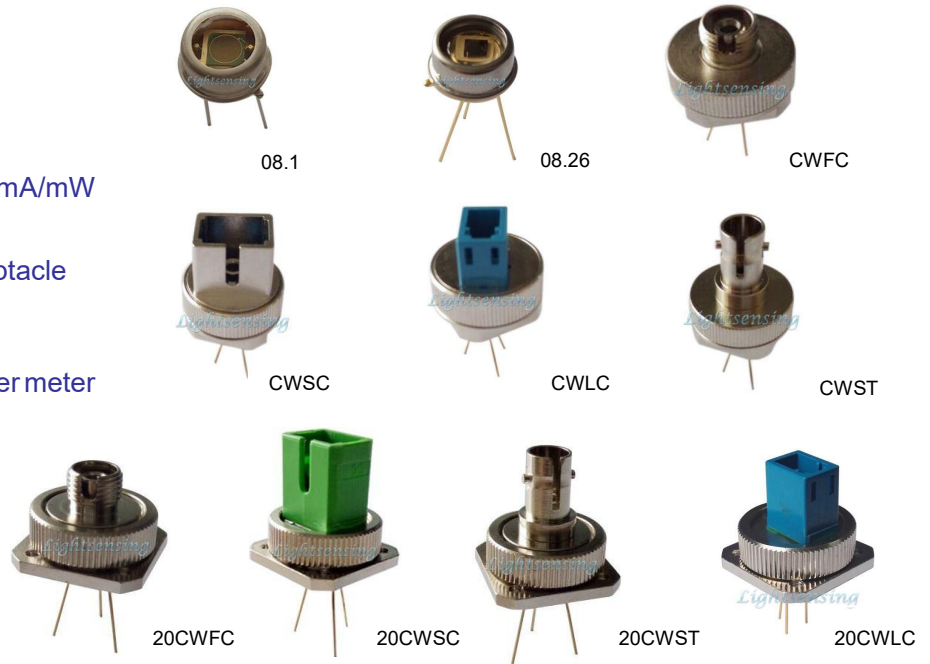
Model: LSSPD-3.2

Features:

- High reliability, low dark current
- 400-1100nm spectral range
- 1064nm responsivity up to 0.32mA/mW
- Active diameter 3.2x3.2mm
- Hermetic TO5 Can or with receptacle

Applications:

- Optical sensor and Optical power meter
- Industrial automatic control
- IR/ Laser light Monitoring
- Fluorescence detector
- Medical equipment
- Spectrophotometry/CT scan



Absolute maximum ratings:

parameter	symbol	value	unit
Operating temperature	Top	-40~+85	°C
Storage temperature	Tstg	-40~+100	°C
Forward current	I _f	16	mA
Reverse voltage	V _r	20	V
Soldering temperature(time)	T _s (10s)	260	°C

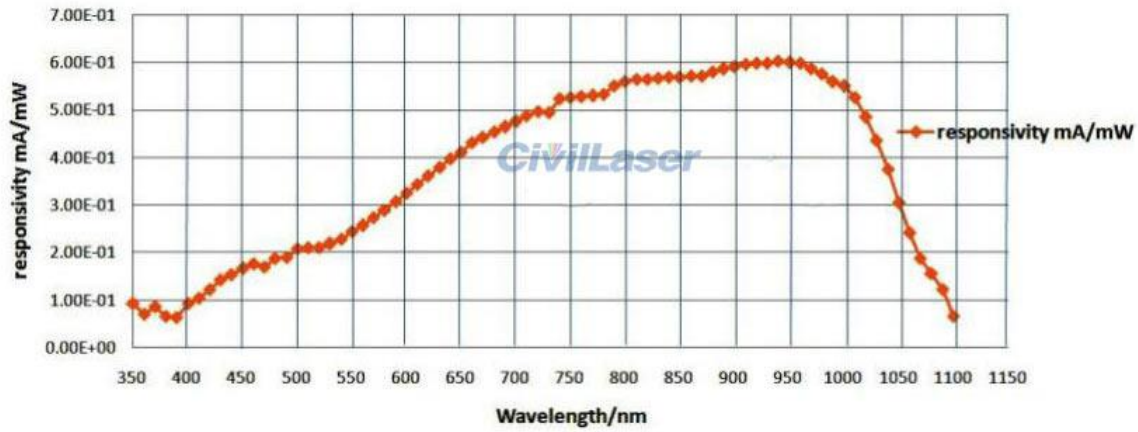
Electrical and optical characteristics:(T=25°C)

parameter	symbol	unit	Value (typ.)
Active diameter	Φ	mm	3.2x3.2
Spectral range	λ	nm	400-1100
Responsivity	Re(V _R =5V,λ=405nm)	mA/mW	0.03
	Re(V _R =5V,λ=650nm)	mA/mW	0.35
	Re(V _R =5V,λ=850nm)	mA/mW	0.55
	Re(V _R =5V,λ=1064nm)	mA/mW	0.32
Response time	Tr (R _L =50Ω,V _R =5V)	ns	6
Dark current	I _d (V _R =0V)	PA	5
	I _d (V _R =5V)	PA	400

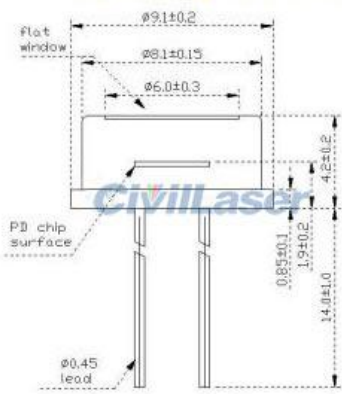
Reverse Breakdown voltage	V_{BR} ($I_R=10\mu A$)	V	60
Junction capacitance	C_j ($f=1MHz, V_R=0V$)	pF	110
	C_j ($f=1MHz, V_R=5V$)	pF	25
Saturated Optical Power	$P_s(V_R=5V)$	mW	25
Operating voltage	V_R	V	0-15V
Shunt resistance	R_{sh} ($V_R=10mV$)	$G\Omega$	2
package	Hermetic TO5 Can or with receptacle		

NOTICE: The above product specifications are subject to change without notice.

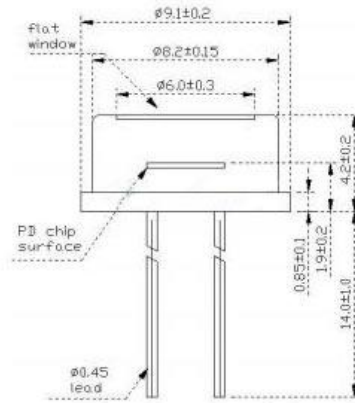
The typical Responsivity curve



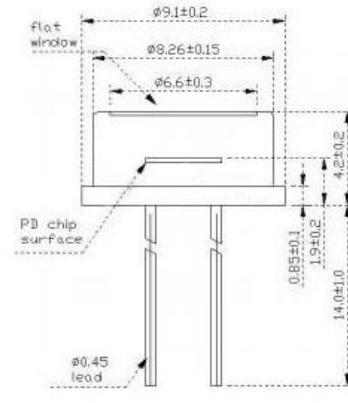
TO package and Lead



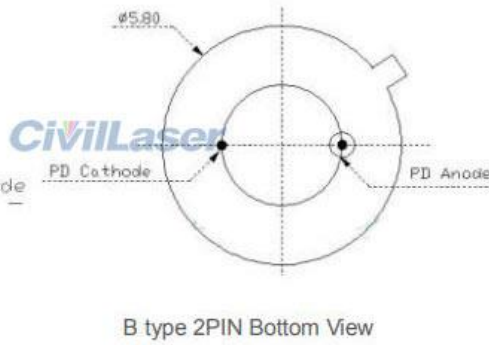
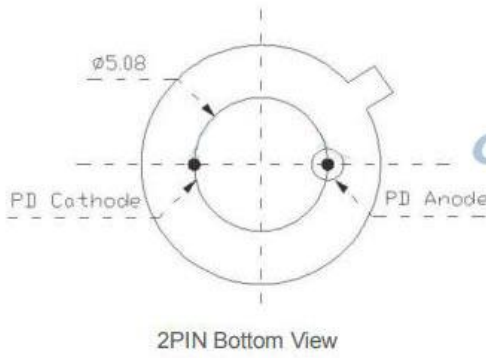
flat window 2 PIN 8.1mm TO
Model: 08.1



flat window 2 PIN 8.20mm TO
Model: 08.20



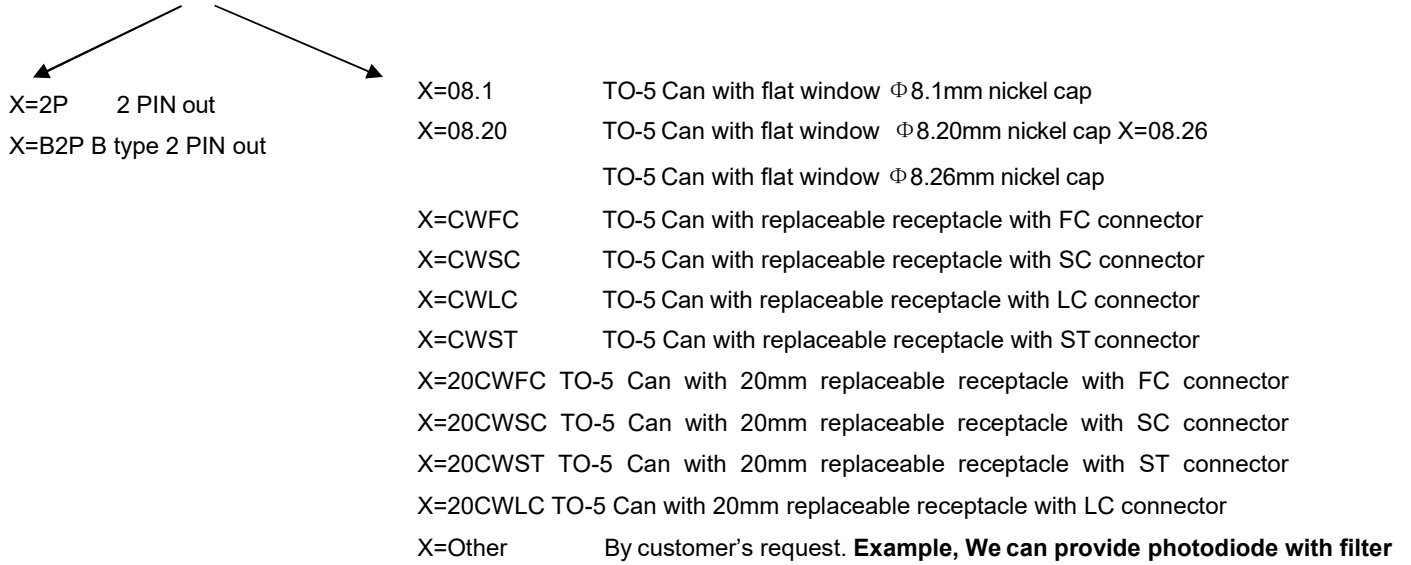
flat window 2 PIN 8.26mm TO
Model: 08.26



Note: In order to get other dimensions, please contact us.

Order information

LSSPD-3.2-X-X



The cautions

- 1: The above product specifications are subject to change without notice.
- 2: The suitable ESD protection is required in storage, transportation and using